

Arbortext® IsoView®

The Industry Standard Intelligent Graphics Viewer

Enrich your technical publications by enabling readers to view and interact with illustrations. Publish 2D and 3D illustrations and animations in multiple formats in an interactive environment that can be tailored and integrated with external applications.

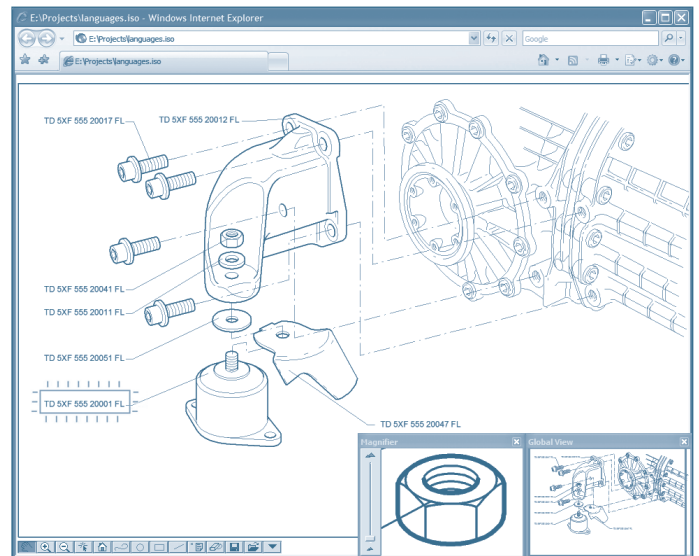
Organizations increasingly rely on the Internet to communicate technical information to a wide variety of audiences. Most often, the posted documents are static, with equally static illustrations. However, technical publications become much more valuable – and much more usable – when users can interact with the graphical content. There is an increasing need to provide illustration tools that enable readers to zoom, rotate, interact with an animated sequence, annotate, or otherwise manipulate the illustrated content. Arbortext IsoView gives you that capability.

The increasing use of 3D graphical content in technical publications creates the need for graphic viewers that support all 2D and 3D technical illustrations and animations in a single user interface.

Arbortext IsoView is the industry's leading intelligent technical graphics viewer. Arbortext IsoView enables readers to view and interact with 2D and 3D technical illustrations and animations created by Arbortext IsoDraw, or other illustration tools. Arbortext IsoView supports all types of technical illustrations and animations: raster formats (e.g. JPEG, TIFF), vector formats (e.g. CGM), 2D and 3D illustrations and animations, as well as static and interactive graphics.

Arbortext IsoView supports important industry standards, and is the de-facto industry standard viewer for CGM (Computer Graphics Metafile) files, mandated in a number of industries. Arbortext IsoView is commonly used to view and distribute, either via CD or over the Intra-/Internet, high-quality graphics published in interactive electronic documents such as spare part catalogs, operator and training manuals, and maintenance manuals.

Arbortext IsoView is available as an ActiveX Control for use within Internet Explorer, Visual Basic applications, and other compliant environments. It also provides an interactive environment that can be customized and integrated with external applications based on an extensive Application Programming Interface (API).



Arbortext IsoView enables Web-based viewers to interact with graphics using hotspots and functions such as zoom, pan, rotate and annotate.

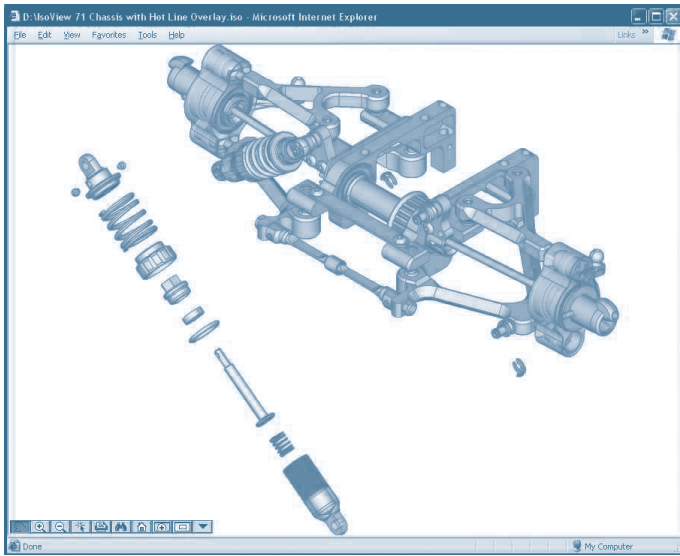
Benefits

Improve User Experience with a Single Viewer for All Graphical Content

- Provides a single viewer for vector and raster illustrations, 2D and 3D illustrations and animations, static, animated, and interactive graphics
- Tracks hotspots and manages animated events transparently across all content, both 2D and 3D, with no need for special programming
- Allows users to smoothly transition from 2D interactive to 3D interactive product information by enriching existing documentation as needed for customer's applications

Enhance Usability and Quality of Publications

- Provides high-quality display of technical graphics in interactive online electronic environments – such as electronic illustrated parts catalogs and interactive electronic technical manuals or publications (IETM/IETP)
- Enables readers to interact with published graphics (for example, zoom, pan, rotate, annotate)



Arbortext IsoView supports interactive viewing of all 2D and 3D technical illustrations and animations in a single user interface.

Lower Costs by Leveraging Both New and Legacy Illustrations

- Displays both vector and raster files from hybrid archives
- Integrates with existing enterprise systems and applications

Comply with Industry Standards

- The industry standard viewer for CGM files
- Compliant with major industry standards for technical illustrations

Key Features

Support Multiple Formats

Display and print multiple file formats, including CGM, WebCGM, SVG Tiny, ProductView formats (.ol, .ed, .pvs, .pvz, .eds, .edz), and major raster formats (TIFF, JPEG, PNG, BMP, PCX and CALS Raster).

Standards Support

Compliant with major technical illustration standards: ASD S1000D and ATA iSpec 2200.

Hotspots

Tracks dynamic links between text and animations as well as manages hotspots and animated events across both 2D and 3D content.

High-Quality Display of Graphics

Anti-aliasing techniques guarantee fast, high-quality display of graphics.

Annotations to Graphics

Readers can add comments to graphics and export the information into the documentation workflow (redlining).

WebCGM Integration Toolkit

Arbortext IsoView includes the WebCGM Integration Toolkit, which provides access to the WebCGM DOM (Document Object Model) and the WebCGM XCF (XML Companion File) technologies. The WebCGM DOM is an API to WebCGM objects.

It enables developers to manipulate WebCGM documents and access information found in XCF files. The XML Companion File Architecture allows applications to externalize non-graphical metadata, such as spare parts numbers, into a standard XML file. Arbortext IsoView enables use of XML companion files (WebCGM DOM) for both 2D and 3D content.

Support for Raster Formats

Arbortext IsoView also allows organizations to display both vector and raster files. Raster formats currently supported are: TIFF, JPEG, PNG, BMP, PCX and CALS Raster.

Optional Compatible Arbortext Software

Arbortext IsoDraw

Arbortext IsoDraw, the industry's leading 2D and 3D illustration software, generates intelligent 2D and 3D illustrations and animations with hotspots for publishing with Arbortext IsoView.



To learn more about how Arbortext IsoDraw can improve your technical publishing process with 2D and 3D technical illustration and animation capabilities, please visit our website at: <http://www.single-sourcing.com/>

© 2009, Parametric Technology Corporation (PTC). All rights reserved. Information described herein is furnished for informational use only, is subject to change without notice, and should not be construed as a guarantee, commitment, condition or offer by PTC. PTC, the PTC logotype, Arbortext, the Arbortext logotype, Arbortext IsoView, and all PTC product names and logos are trademarks or registered trademarks of PTC and/or its subsidiaries in the United States and in other countries. All other product or company names are property of their respective owners.